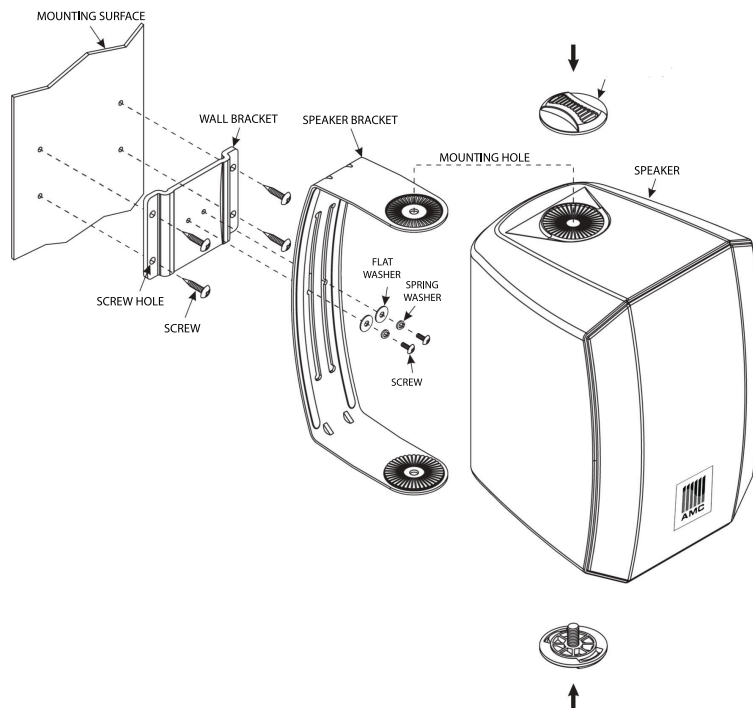
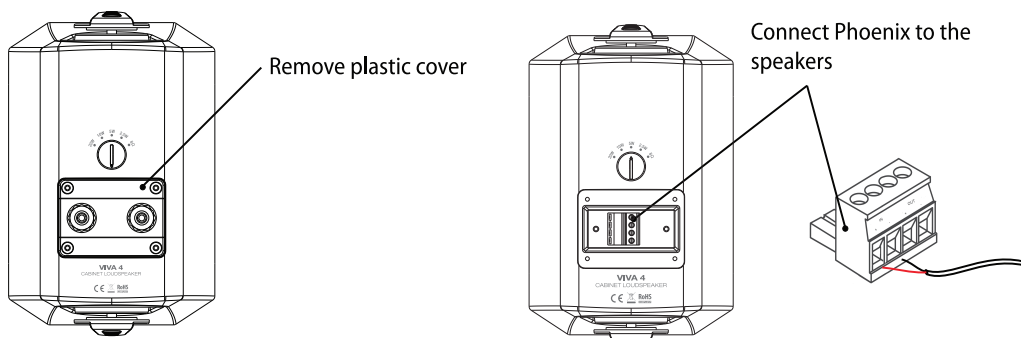


VIVA 4IP installation manual

1. Remove the "U" bracket from speaker. Aline the bracket and mark fixing points. Fix the bracket using appropriate screws to the wall.



2. Remove plastic cover and connect audio cable to the Phoenix connector and set up the right transformer output on selector on the speaker rear panel.



3. Set proper loudspeaker's direction.

